



*The Preferred Choice*

# CCF34 SEAT



# SPECIFICATIONS

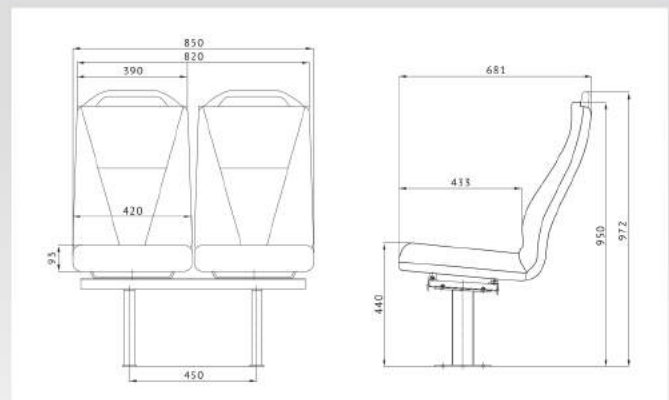


- The APM CCF34 City bus seats is an economical and low maintenance city bus seat.
- The purpose designed seat is an ideal choice for operators who wants quality seat that is easy to maintain and configured.
- Polyurethane (PU) molded foam for seat back and squab is lightweight and durable.

## FEATURES :

- Top grip handle.
- One piece plastic molded back board for ease of maintenance.
- Wide varieties of trimming (Fabrics, vinyl).
- Hollow bar mounting legs for ease of vehicle floor maintenance.

## DIMENSIONS :



**Overseas Enquiries:**  
**APM Auto Parts Marketing (Malaysia) Sdn. Bhd.**  
Email : [apmex@apm.com.my](mailto:apmex@apm.com.my)  
Telephone : +603-3161 8783  
Website : [www.apm.com.my](http://www.apm.com.my)

**Domestic Enquiries:**  
**APM Seatings Sdn Bhd.**  
Email : [mktg\\_apmst@apm.com.my](mailto:mktg_apmst@apm.com.my)  
Telephone : +603-3161 8695  
Website : [www.apm.com.my](http://www.apm.com.my)