



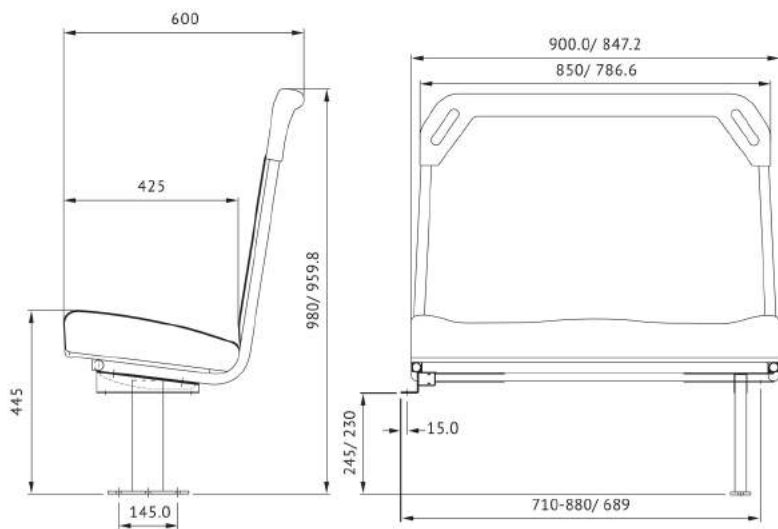
*The Preferred Choice*

# METRO SEATS



**SOFT TOP SEAT**

# SPECIFICATIONS



- The APM Metro bus seats is best suited for use in school buses and short hop city commuting buses.
- The minimalistic design of the seat offers the operators the best choice of seating in terms of value without compromising on safety and quality.

## FEATURES :

- One-piece back seat that sits 2-3 passengers.
- Powder coated frame construction for finishing durability.
- Variable leg pitch adjustment for combinations of floor and wall mounting.
- Polyurethane (PU) top handle grip that is firm and yet safe.
- Seat back with laminated panel for ease of cleaning and maintenance.
- Wide varieties of trimming (Fabrics, vinyl).
- Hollow bar mounting legs for ease of vehicle floor maintenance.

## OPTIONAL :

- Stainless steel backs
- Stanchion fitting



**Overseas Enquiries:**  
**APM Auto Parts Marketing (Malaysia) Sdn. Bhd.**  
Email : [apmex@apm.com.my](mailto:apmex@apm.com.my)  
Telephone : +603-3161 8783  
Website : [www.apm.com.my](http://www.apm.com.my)

**Domestic Enquiries:**  
**APM Seatings Sdn Bhd.**  
Email : [mktg\\_apmstl@apm.com.my](mailto:mktg_apmstl@apm.com.my)  
Telephone : +603-3161 8695  
Website : [www.apm.com.my](http://www.apm.com.my)